



# PRESSURE

## WET TO WET DIFFERENTIAL PRESSURE TRANSMITTER M230 SERIES

### DESCRIPTION

The **Setra Model M230 Differential Pressure Transmitter** is a highly accurate differential pressure transmitter that incorporates a capacitive technology to produce a linear electronic signal proportional to the differential pressure. It will measure differential pressure in unidirectional applications as much as 100 psi and bidirectional applications as much as 50 psi. The stainless steel wetted parts and elastomer seals make this unit ideal for both liquids and gases. The NEMA 4 (IP65) case keeps the internal electronics protected from the environment.



M230-025PD-C



### FEATURES

- **0.25% accuracy**
- **NEMA 4 (IP65) protection**
- **Stainless steel wetted parts**
- **Elastomer seals**
- **High proof pressure**
- **Current or voltage outputs**
- **Mounting bracket included**

### SPECIFICATIONS

<b>Supply Voltage</b>	9-30 VDC @20mA
<b>Current Output</b>	9-30 VDC @20mA
<b>Voltage Output</b>	5V= 9-30 VDC, 10V=13 to 30 VDC @10mA
<b>Signal Output (Volts,Current)</b>	4-20mA loop, 0-10VDC or 0-5VDC per order
<b>Min Voltage Output Impedance</b>	>1KΩ
<b>Max Current Output Impedance</b>	<750Ω @24VDC
<b>Accuracy</b>	±0.25% Full scale
<b>Sensor Type</b>	Capacitance sensor
<b>Adjustments (Z/S)</b>	Zero & Span trim POTs
<b>Normal Measurement Range</b>	0 to 100 psid (See ordering)
<b>Overpressure (Burst)</b>	350 PSIG High port / 250 PSIG Low port
<b>Max Operating Pressure (Proof)</b>	See Proof Pressure table
<b>Operating Temperature</b>	0° to 175°F (-18° to 80°C)
<b>Compensated Temp Range</b>	30° to 150°F (-1° to 65°C)
<b>Operating Humidity</b>	10 to 95% Non-condensing

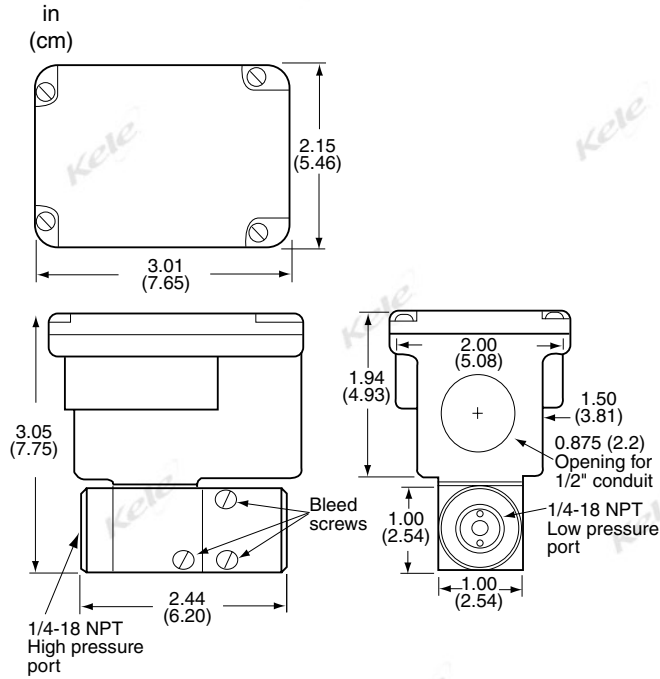
<b>Wetted Parts</b>	17-4 stainless steel w/Viton® & Silicon seals
<b>Media Compatibility</b>	Liquid/Gasses compatible w/17-4 SS
<b>Process Connection</b>	1/4" 18 NPT
<b>Wiring Terminations</b>	Exposed, 3 terminals, 16 to 22 AWG
<b>Mounting</b>	L-Bracket w/2, 0.156" holes for #6 screws
<b>Enclosure Rating</b>	NEMA 4, (IP65)
<b>Dimensions</b>	7.05"W x 6.25"H x 2.16"D, (17.9 x 15.9 x 5.5 cm)
<b>Weight</b>	0.94b (0.41kg)
<b>Approvals</b>	CE
<b>Warranty</b>	1 year

PROOF PRESSURE (High Side)							
Range		Proof		Range		Proof	
psid	kPa	psid	kPa	psid	kPa	psid	kPa
0-1	6.89	20	137.9	±0.5	±3.45	20	137.9
0-2	13.79	40	275.8	±1	±6.89	40	275.8
0-5	34.47	100	689.5	±2.5	±17.24	100	689.5
0-10	68.95	100	689.5	±5	±34.47	100	689.5
0-25	172.4	250	1723.7	±10	±68.95	200	1379.2
0-50	344.7	250	1723.7	±25	±172.4	250	1723.7
0-100	689.5	250	1723.7	±50	±344.7	250	1723.7

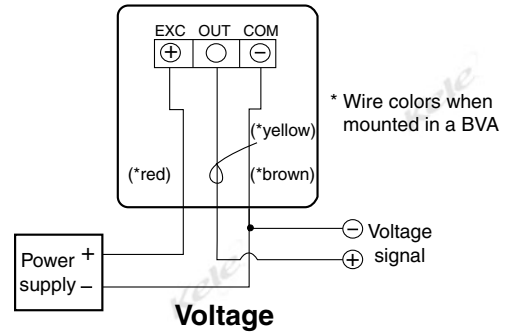
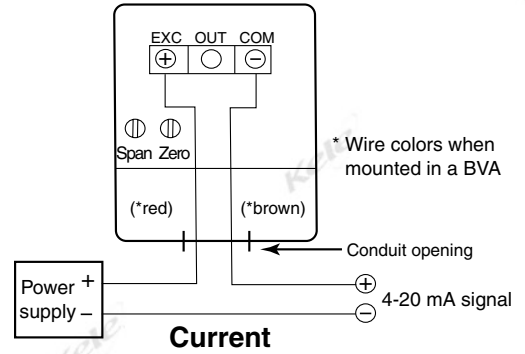


## WET TO WET DIFFERENTIAL PRESSURE TRANSMITTER M230 SERIES

### DIMENSIONS



### WIRING



### ORDERING INFORMATION

MODEL	DESCRIPTION
M230	Differential pressure transmitter
	<b>PRESSURE RANGE psid (kPa)</b>
001PD	0-1.0 (6.90)
002PD	0-2.0 (13.79)
005PD	0-5.0 (34.48)
010PD	0-10.0 (68.95)
025PD	0-25.0 (172.38)
050PD	0-50.0 (344.75)
100PD	0-100.0 (689.50)
0R5PB	±0.5 (±3.45)
001PB	±1.0 (±6.90)
2R5PB	±2.5 (±17.24)
005PB	±5.0 (±34.48)
010PB	±10.0 (±68.95)
025PB	±25.0 (±172.38)
050PB	±50.0 (±344.75)
	<b>OUTPUT</b>
C	4-20 mA
V5	0-5 VDC
V10	0-10 VDC
	<b>OPTIONS</b>
BVA	Bypass valve assembly
3VLV	Three-valve manifold assembly

**Example:** M230-10PD-C Differential pressure transmitter ranging from 0-10 psid with a 4-20 mA output